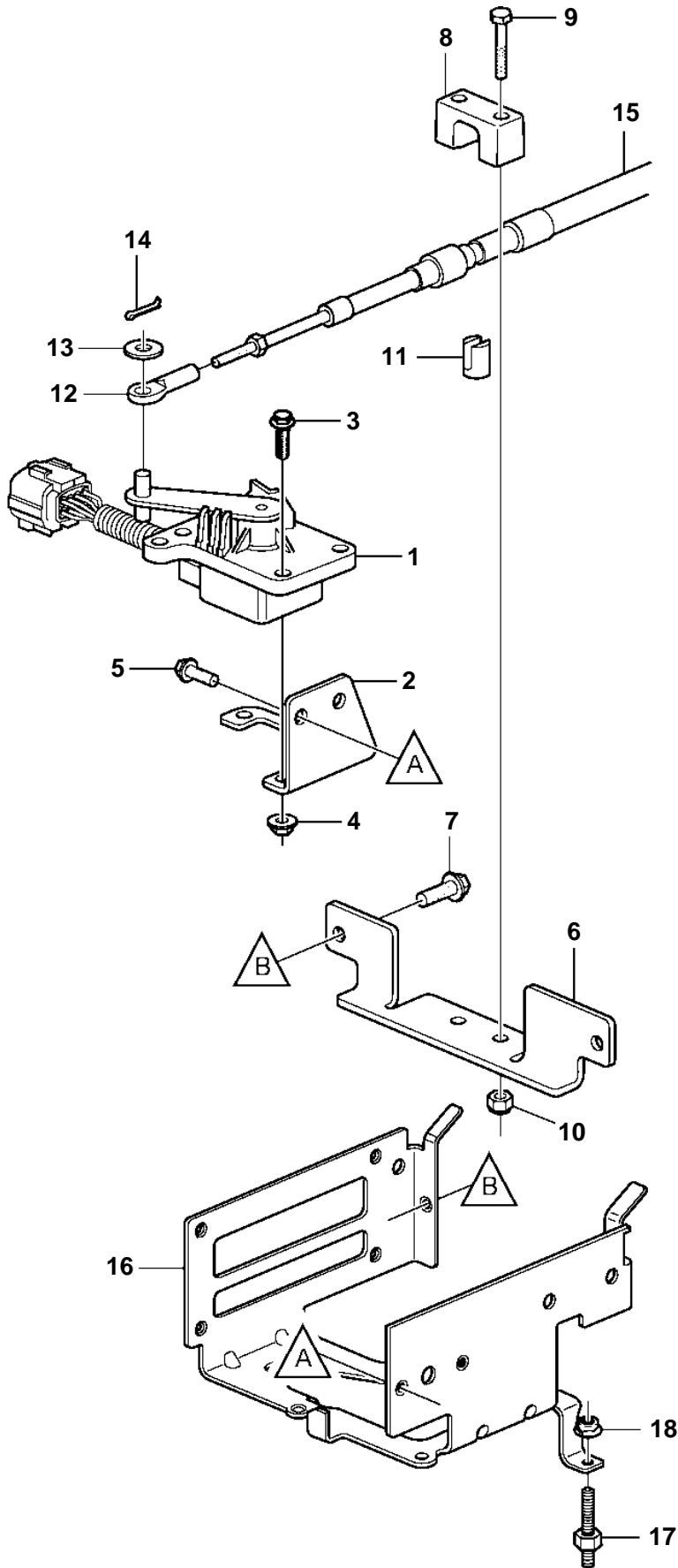


5.0GiC-J, 5.0GiC-JF, 5.0GXiC-J, 5.0GXiC-JF



5.0GiC-J, 5.0GiC-JF, 5.0GXiC-J, 5.0GXiC-JF

REF	PART NO.	QTY	DESCRIPTION	NOTES
1	3887199	1	Housing	
2	3849435	1	Bracket	
3	946934	3	Flange screw	
4	981124	3	Flange nut	
5	3852006	2	Screw	
6	40005453	1	Bracket	
7	3852006	2	Screw	
8	3850266	1	Anchor	
9		1	Screw	
10	3852118	1	Nut	
11	3852019	1	Retainer	
12	3850941	1	Adapter	
13	3852193	1	Washer	
14	3852052	1	Split pin	
15		1	Cable	
16	3595367	1	Bracket	
17	3594748	1	Spacer screw	L=45mm
	3594749	2	Spacer screw	L=40mm
18	981124	2	Flange nut	